

MPO rack mount Fixed patch panel/Cassette



This MTP/MPO high-density series ODF adopt high-density fiber connector and single/ribbon fibers finished termination and test in the factory. Support onsite equipment connect and using immediately, and finish data center development fast. It' ideal solution for increasingly high-density cable management of data center.

■ Application:

Data center, Large Enterprise network room

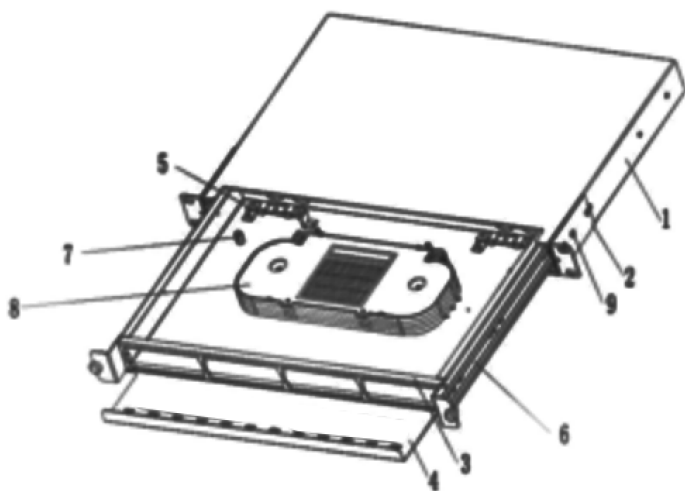
■ Feature:

- 1.Special compact small design MTP/MPO module box,Saving space&support large volume fiber management.
- 2.Each MPO module box can accept 24 LC fiber connector and conduct to MTP/MPO adapter port.
3. Latin lock design for easy and fast operation,cable management.
4. Made of cold steel
5. Working range:-20 ~+70 °C

■ Product Parameter:

Model	Dimension	Cassettes quantity	Max capacity (12pcs LC Duplex adapters)	Max capacity (24pcs LC Duplex adapters)	Height	GW/NW (kg)
B1-FD96MPO1U	430*355*44.5mm	4	48	96	1U	4.0
Remark: The size for 12Core and 24core cassettes are same.						

■ Panel/MPA-1U



- | | |
|--|----------|
| 1.Outer shelf: thickness 1mm. SPCC, Black (RAL 9005) | X 1PC |
| 2.Rack ears: thickness 1.5mm. Black (RAL 9005) | X 2PCS |
| 3. Front plate: thickness 1.5mm. Black (RAL 9005) | X 1PC |
| 4. L Shape tray: thickness 1.0mm. Black (RAL 9005) | X 1PC |
| 5. Fastening plate: thickness 1.22mm.SPCC,Galvanize | X2PCS |
| 6.Slideway, black | X2PCS |
| 7. Connecting wire rod: Color zinc-plated. | X2PCS |
| 8. Splice tray: ABS, Ivory white | Max 4pcs |
| /Or cassette: ABS+PC. lack (RAL9005). | Max 4pcs |
| 9. Screws: M4*8. Black coating | X6PCS |
| Accessories: Rubber plug | X4PCS |

Panel size:430*355*44mm/4.0KG

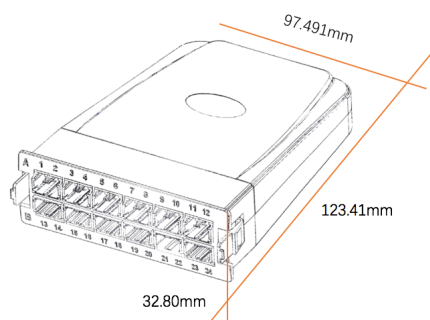
Cassettes:



12Cores cassette



24Cores cassette



Cassette size:123.41*97.49*32.8mm/6.5KG

Material: ABS+PC

Capacity 1: 12x LC Duplex + 1x MPO Adapter—24core/cassette

Capacity 2: 24x LC Duplex + 2x MPO Adapter—48core/cassette